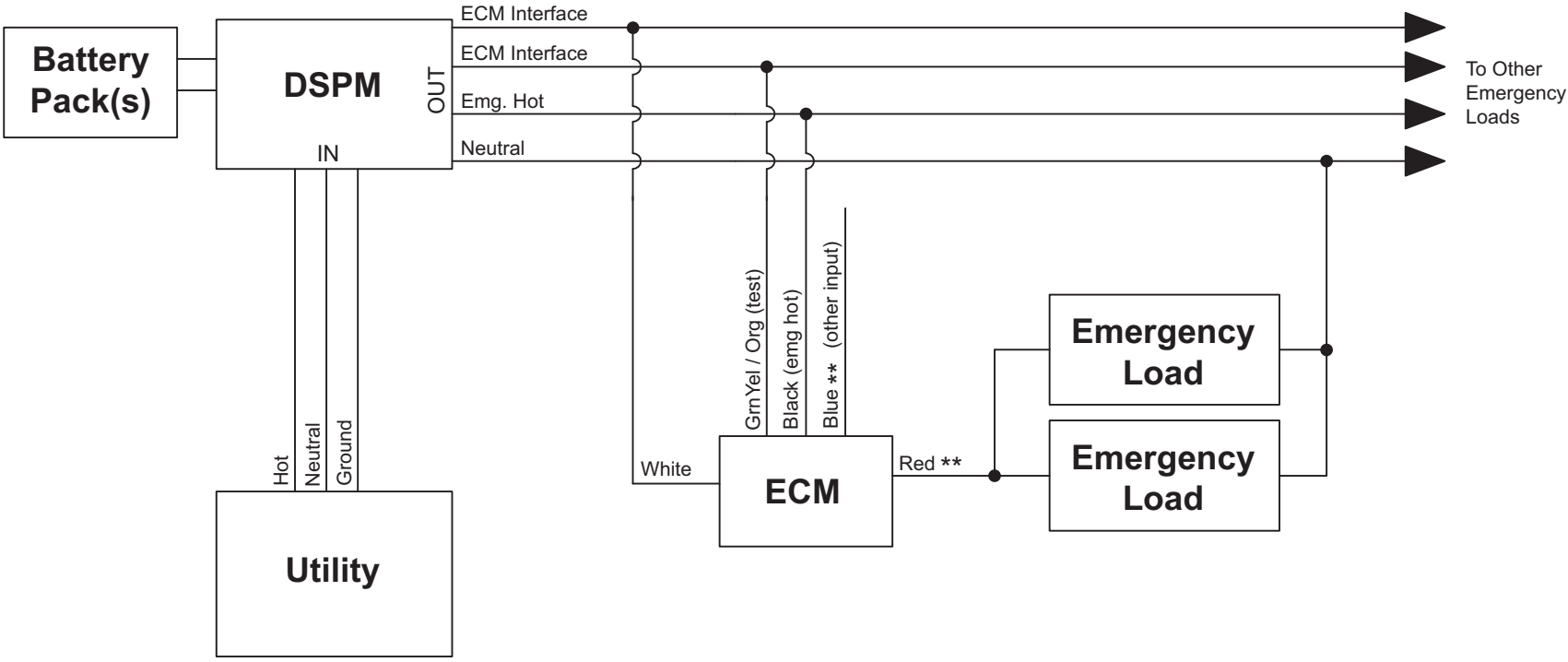



Catalog Number	
Project	Notes
Signature	Date



* Test Line = GreenYellow 120 VAC / Orange 277 VAC
 ** 20 Amps Maximum

 DSPM INC. DIGITAL SIGNAL POWER MANUFACTURER www.DSPManufacturing.com	Title ECM Stand-By Mode	1921 S. Quaker Ridge Place Ontario, CA 91761 Ph: 1.877.DSPM POWER 1.877.377.6769 Fax: 909.930.3335	
	Document #: 086-0002-01		Revision: NA
	File: 086-0002-01 ECM Stand-By Mode		