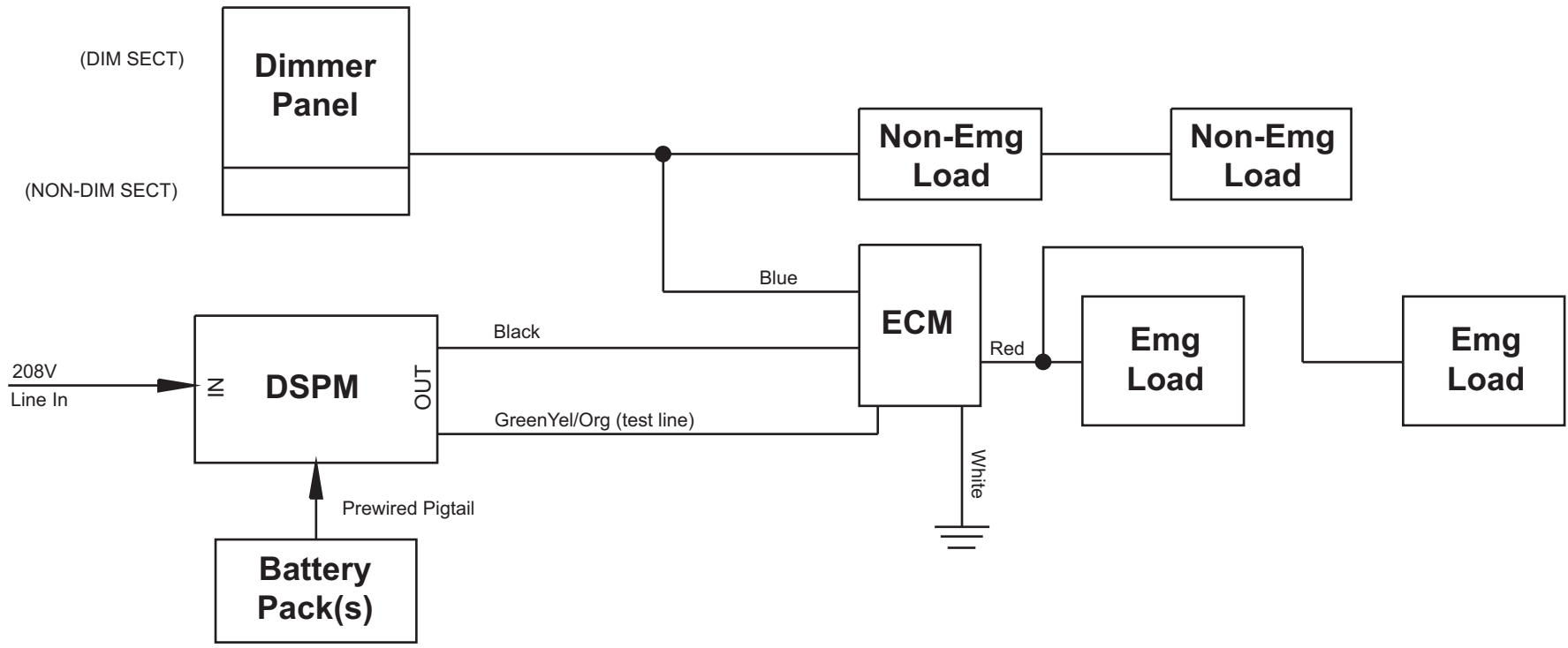


Catalog Number	
Project	Notes
Signature	Date



* Test Line = GreenYellow 120 VAC / Orange 277 VAC

 <p>DSPM INC. DIGITAL SIGNAL POWER MANUFACTURER www.DSPManufacturing.com</p>	Title ECM Standard Dimming Panel Bypass		1921 S. Quaker Ridge Place Ontario, CA 91761 Ph: 1.877.DSPM POWER 1.877.377.6769 Fax: 909.930.3335
	Document #: 086-0004-01	Revision: NA	
	File: 086-0004-01 ECM Standard Dimming Panel		