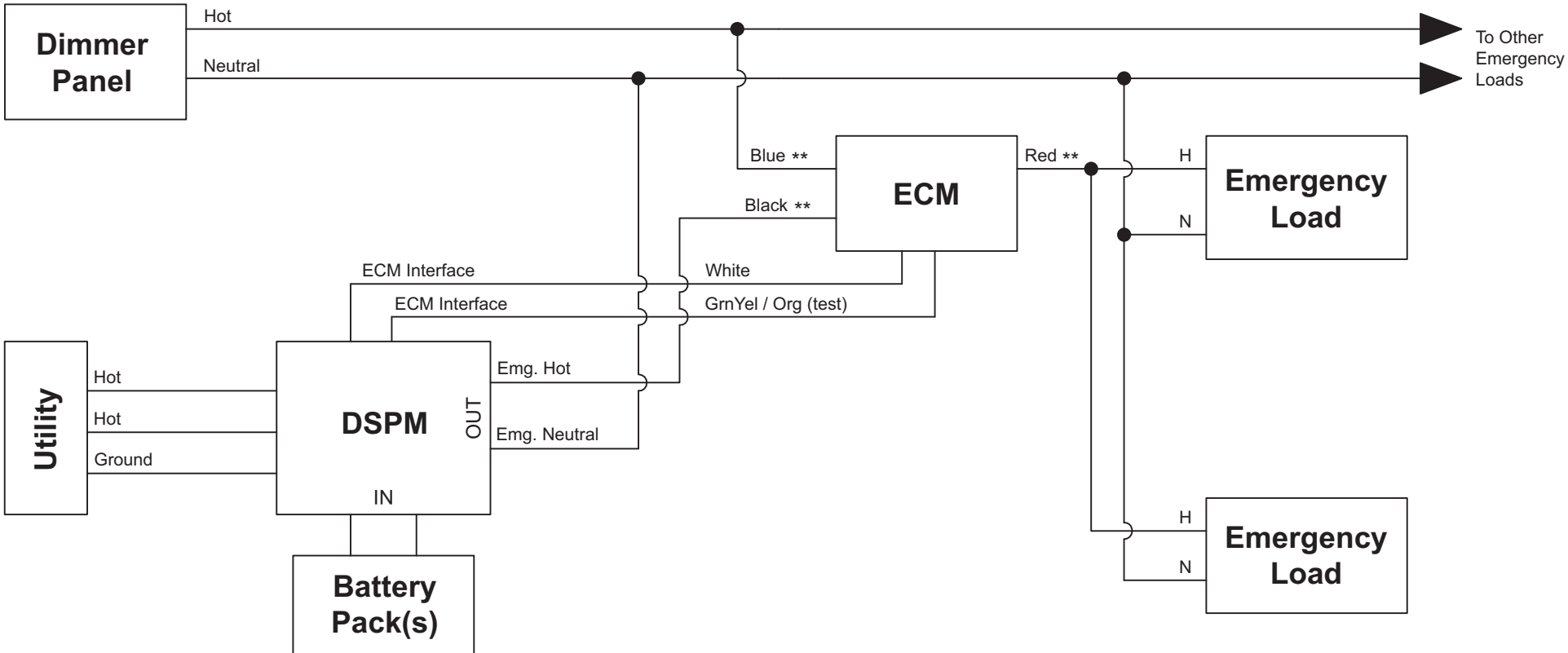



Catalog Number	
Project	Notes
Signature	Date



\* Test Line = GreenYellow 120 VAC / Orange 277 VAC  
 \*\* 20 Amps Maximum

 <b>DSPM INC.</b> DIGITAL SIGNAL POWER MANUFACTURER www.DSPManufacturing.com	Title <b>ECM Emergency Dimming Bypass Wiring</b>		1921 S. Quaker Ridge Place Ontario, CA 91761 Ph: 1.877.DSPM POWER 1.877.377.6769 Fax: 909.930.3335
	Document #: <b>086-0006-01</b>	Revision: <b>NA</b>	
	File: <b>086-0006-01 ECM Emergency Dimming Bypass</b>		