

Email: info@DSPManufacturing.com
1921 S. Quaker Ridge Place
Ontario, CA 91761
Ph: 1.877.DSPM POWER
1.877.377.6769
Fax: 909.930.3335

FORTRESS 1 HARSH



ONLINE HARSH ENVIRONMENT EMERGENCY LIGHTING INVERTER

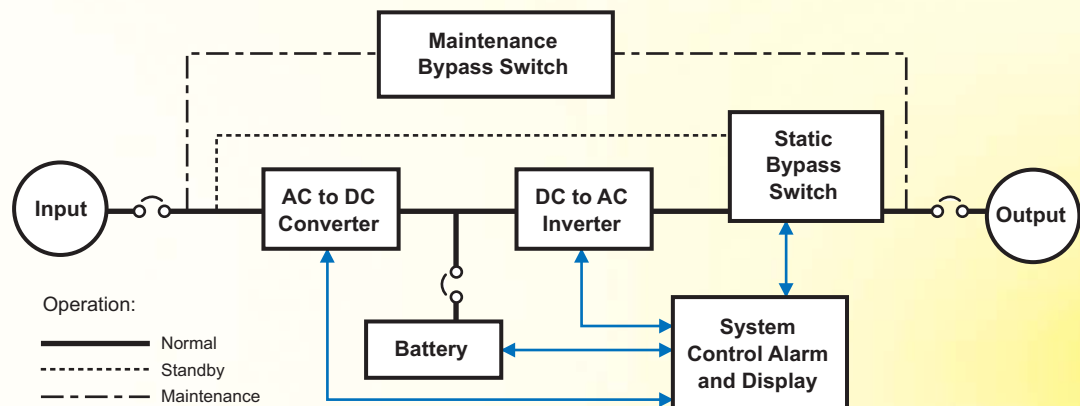
Keep the lights "ON" when you need them the most.

Single Phase 75 Watts - 21 KW

Made In The USA 

Defends your environment against unwanted power outage and electrical disturbances by providing:

- DSPM Watchdog software always on guard.
- Display monitor keeps you in control 24/7.
- Dependable DSP/PWM technology for unsurpassed reliability.
- Economical for the lowest overall cost for your light safety, with an Energy Star Rating.
- Temperature compensating technology that controls batteries for the longest battery life.
- Sealed maintenance free batteries.
- Full light output for entire 90 minutes.
- Self-diagnostics for a safe and secure lighted environment.
- Pure sine wave output for all types of lamps.
- ECM module is a patented technology used by DSPM.
- Backup solutions for multiple applications such as: indoor and outdoor emergency lighting, exits, cash registers, computers, strategic electronics and more!
- 10 Year pro-rated battery warranty.
- 5 Year power train warranty.
- Meets federal, state and local codes: UL924, NFPA 101, NFPA 70, NEC and OSHA.
- Cities of Chicago and New York Approved.
- Complies with the Buy American Act.



FORTRESS 1

HARSH

Email: info@DSPManufacturing.com
1921 S. Quaker Ridge Place
Ontario, CA 91761
Ph: 1.877.DSPM POWER
1.877.377.6769
Fax: 909.930.3335



- *Standard Power Levels.....0.075, 0.1, 0.125, 0.2, 0.3, 0.35, 0.525, 0.7, 0.875, 1.05, 1.4, 2.0, 2.4, 2.6, 3.0, 3.4, 3.8, 4.2, 4.7, 5.25, 7.0, 8.0, 10.0, 12.0, 14.0, 18.0 and 21.0 KW
- *Input Voltage120, 208, 240, 277 or 480 VAC
- *Input Voltage Range.....+10%. -15%
- *Output Voltage.....120, 208, 277, 480, 120/240 or 120/277 VAC
- *Output Voltage Regulation.....±3% for all loads and battery discharge mode
- *Output Frequency Range.....60 Hz, ±1%
- Output Wave Form.....Sine-wave <5% @ 100% linear load
- Crest Factor.....2.5:1 typical
- Input Protection.....Input Main Circuit Breaker
- Output Protection.....Output Main Circuit Breaker
- Surge Protection.....The unit will protect itself and the load against surges as defined in ANSI/IEEE C62.45 category A and B
- Battery.....Sealed maintenance-free (AGM) lead calcium
- Recharge Current.....Conforms to UL924 standards
- External Battery.....Provision for hardware connection of external battery cabinets or DC source
- Efficiency.....≥92% at 100% linear load
- Audible Noise.....<45dB measured on Response Curve "A"
- Safety Agencies.....Listed to UL standard 924
- Operating Temperature.....-20° to 60°C (-4° to 140°F)
- Storage Temperature.....-20° to 60°C (-4° to 140°F)
- Humidity.....5 - 100%, Non-condensing
- Cabinet.....NEMA 4x or 12

*Consult factory for others.
Specifications subject to change without notice.



Fortress Harsh 1	Power Rating	UPS			Battery			Weight (combined)
		Cabinet Dimensions			Cabinet Dimensions			
	KVA/KW	W	H	D	W	H	D	(lbs)
FTH1 (Consult factory for others)	0.35	20"	24"	8"	not required			150
	0.70	41"	48"	32"	not required			370
	1.05	41"	48"	32"	not required			420
	2.0	41"	48"	32"	not required			610
	2.6	41"	48"	32"	not required			820
	3.4	41"	48"	32"	not required			980
	4.2	41"	48"	32"	not required			1180
	4.7	41"	72"	32"	not required			1550
	5.25	41"	72"	32"	not required			1550
	7.0	41"	72"	32"	not required			1800
	8.0	41"	72"	32"	not required			1800
	10.0	41"	72"	32"	not required			2250
	12.0	41"	72"	32"	not required			2510
	14.0	41"	72"	32"	41"	72"	32"	2900
18.0	41"	72"	32"	41"	72"	32"	4100	
21.0	41"	72"	32"	41"	72"	32"	4500	

Please see data sheet (cut sheet) for weight and cabinet dimensions for all power ratings.

Represented by:

Options:

- ECM - Environmental Control Module
- NOF120 - Normally OFF Circuit 120VAC
- NOF227 - Normally OFF Circuit 277VAC
- NOH120 - Normally OFF "Hold On" 120VAC
- NOH227 - Normally OFF "Hold On" 277VAC
- OCB - Output Circuit Breaker(s)
- EPO - Emergency Power Off
- RSSP - Remote Indicator Panel
- SNMP - SNMP Card
- FAX - Fax Modem
- FC - Form C Contacts
- SRU1 - Onsite Startup
- IDB - Internal Dimmer Bypass
- EMB - External Maintenance Bypass
- HTR - Heater
- EW - Extended Warranty