

POWER LYNX 1



OUTDOOR UNINTERRUPTIBLE POWER SYSTEM

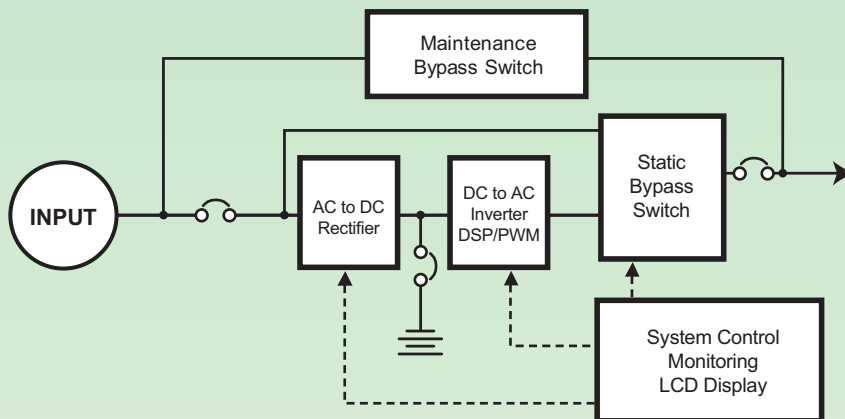
Providing power without interruption.

Single Phase 3 kVA - 18 kVA

Made In The USA 

Defends your environment against unwanted electrical disturbances by providing:

- DSPM Watchdog software always on guard.
- Display monitor keeps you in control 24/7.
- Dependable DSP/PWM technology for unsurpassed reliability.
- Economical for the lowest overall cost with an Energy Star Rating.
- High efficiency of >92%, with an reliability of 200,000 hours.
- Temperature compensating technology that controls batteries for the longest battery life.
- A proven non-linear load capability.
- Provides continuous AC voltage without interruption.
- Microprocessor that stores any alarm so a history is always available.
- Sealed maintenance free batteries.
- 10 Year pro-rated battery warranty.
- 5 Year power train warranty.
- Meets federal, state and local code, UL1778.
- Complies with the Buy American Act.



 **DSPM** INC.
DIGITAL SIGNAL POWER MANUFACTURER
www.DSPManufacturing.com

Email: info@DSPManufacturing.com
1921 S. Quaker Ridge Place
Ontario, CA 91761
Ph: 1.877.DSPM POWER
1.877.377.6769
Fax: 909.930.3335

POWER LYNX 1



- *Standard Power Levels.....3, 5, 7.5, 10, 12.5, 15 or 18 kVA
- *Input Voltage120, 208, 240, 277 or 480 VAC
- *Input Voltage Range.....+10%, -15%
- *Output Voltage.....120, 208, 240, 277, 480 or 120/240 VAC
- *Output Voltage Regulation.....±2% typical
- *Output Frequency Range.....60 Hz, ±5%
- Output Wave Form.....Sine-wave <5% @ 100% linear load
- Crest Factor.....2.5:1 typical
- Input Protection.....Input Main Circuit Breaker
- Output Protection.....Output Main Circuit Breaker
- Surge Protection.....The unit will protect itself and the load against surges as defined in ANSI/IEEE C62.45 category A and B
- Battery.....Sealed maintenance-free (AGM) lead calcium
- Recharge Current.....10x discharge
- External Battery.....Provision for hardware connection of external battery cabinets or DC source
- Efficiency.....≥92%
- Audible Noise.....<45dB measured on Response Curve "A"
- Safety Agencies.....Listed to UL standard 1778
- Operating Temperature.....0° to 40°C (32° to 104°F)
- Storage Temperature.....-20° to 60°C (-4° to 140°F)
- Humidity.....5 - 95%, Non-condensing
- Cabinet.....NEMA 3R

*Consult factory for others.
 Specifications subject to change without notice.



Power Lynx Series	Power Rating	Total Watts	UPS Cabinet Dimensions			Weight (lbs)
			W	H	D	
PLO1 <small>(Consult factory for others)</small>	kVA	KW	W	H	D	(lbs)
	3	2.0	41"	48"	32"	925
	5	3.5	41"	48"	32"	970
	7.5	5.25	41"	48"	32"	1170
	10	7.0	41"	48"	32"	1270
	12.5	8.75	41"	48"	32"	1320
	15	10.5	41"	48"	32"	1395
18	12.6	41"	48"	32"	1595	

- Options:**
- RSSP - Remote Indicator Panel
 - SNMP - SNMP Card
 - FC - Form C Contacts
 - OCB - Output Circuit Breaker(s)
 - SRB - Seismic-Rated Bracket
 - EMB - External Maintenance Bypass
 - EW - Extended Warranty



Email: info@DSPManufacturing.com
 1921 S. Quaker Ridge Place
 Ontario, CA 91761
 Ph: 1.877.DSPM POWER
 1.877.377.6769
 Fax: 909.930.3335

Represented by: