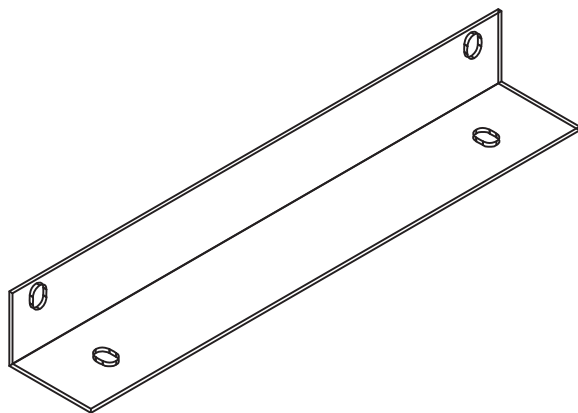


Notice: This drawing contains confidential and proprietary data originated. All design, manufacturing, reproduction, use and sale rights are expressly reserved. The recipient agrees by accepting this document, not to supply or disclose and information regarding it to any unauthorized person, or to incorporate this data into any other design or use thereof. All patent rights are expressly reserved.



Notes:

1. Use 11Ga galvanized or 10ga CRS Painted DSPM Gray
2. Use minimum bend radius
3. Deburr all edges
4. Two required per unit  
(With the exception of the Mini unit which only one is required)

