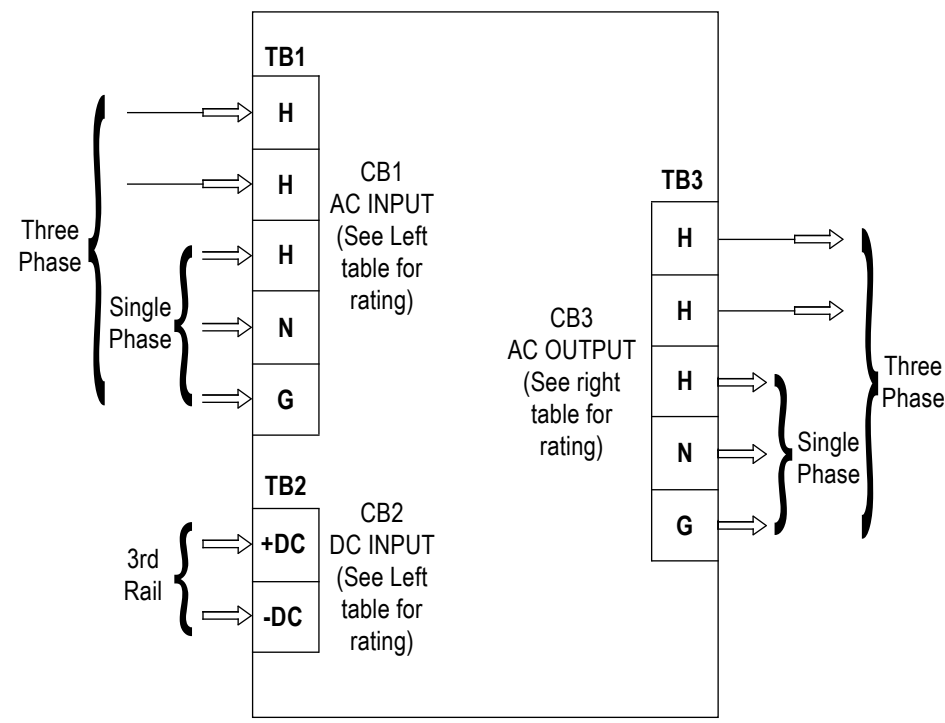


System Power (KW)	Input Type	Input Voltage (VAC)	Input Amp
8	Single Phase	120	66.7
		277	29
		480	16.7
	Three Phase	240/120	66.7/33.4
		277/120	66.7/29
		480/277	9.6
16	Single Phase	120	133.4
		277	58
		480	33.4
	Three Phase	240/120	134/66.7
		277/120	58/133.4
		480/277	19.2
24	Single Phase	120	200
		277	87
		480	50
	Three Phase	240/120	100/200
		277/120	87/200
		480/277	29
32	Single Phase	120	267
		277	115.5
		480	66.7
	Three Phase	240/120	133.4/267
		277/120	115.5/267
		480/277	38.5
		208/120	89

System Power (KW)	Input Amp
8	13.5
16	27
24	40
32	54



System Power (KW)	Output Type	Output Voltage (VAC)	Output Amp
8	Single Phase	120	66.7
		277	29
		480	16.7
	Three Phase	240/120	66.7/33.4
		277/120	66.7/29
		480/277	9.6
16	Single Phase	120	133.4
		277	58
		480	33.4
	Three Phase	240/120	134/66.7
		277/120	58/133.4
		480/277	19.2
24	Single Phase	120	200
		277	87
		480	50
	Three Phase	240/120	100/200
		277/120	87/200
		480/277	29
32	Single Phase	120	267
		277	115.5
		480	66.7
	Three Phase	240/120	133.4/267
		277/120	115.5/267
		480/277	38.5
		208/120	89