



# 3RD RAIL BACK-UP INVERTER

---

## SPECIFICATIONS

- The DC to AC Converter maintains efficient AC Emergency Power to operate all types of loads, providing superior dependability and security to commercial/industrial environments in a small commercial/industrial environments in an outdoor environment

## POWER RATING

- 8 KW - 32 KVA

## WARRANTY

- 1-Year full warranty on system electronics
- System 1-year on-site warranty labor with DSPM phone assisted start-up
- 5-Year powertrain warranty
- Maintenance contracts available

## DC INPUT

- 350 to 900VDC, nominal 600VDC

## BYPASS VOLTAGES

- 120V, 208Y/120V, 240V, 480Y/277V, 120/240VAC

## OUTPUT VOLTAGES

- 120V, 240V, 277V, 480V, 120/240, 120/208, 277/480 or 277/480VAC

## PROTECTION

- Provides overload, surge and undercurrent protection using DSP/PWM technology and DSPM Watchdog Software to protect system performance and reliability.
- Surge protection against load surges as defined in ANSI/IEEE C62.45 category A and B.

## CODES

- Meets NFPA 101, NFPA 70, NEC and OSHA standards
- Cities of Chicago and New York approved
- Complies with the Buy American Act



8 KW - 32 KVA 600VDC Input Single or Three Phase

## INSTALLATION

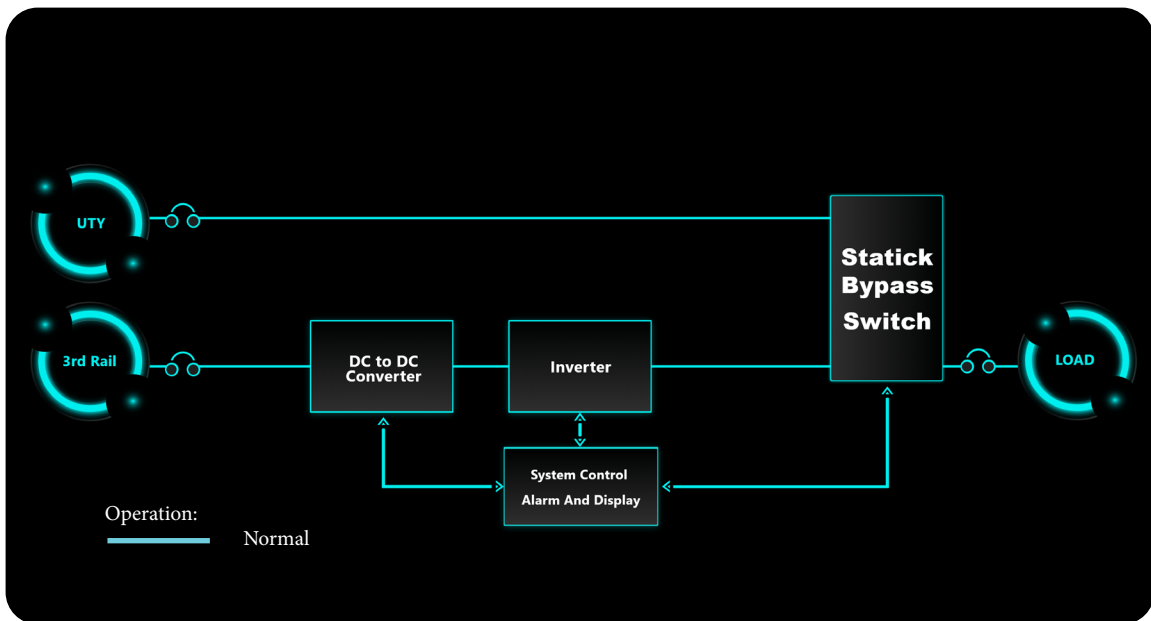
- Modular design and small footprint allow easy installation in an outdoor environment
- Phone assisted factory start-up standard for all systems
- Extended warranty available

## NEMA 3R or NEMA 4 CABINET

- Modular design enables flexible installation

## DIAGNOSTICS AND MAINTENANCE

- DSP/PWM technology and DSPM Watchdog Software provides complete self diagnostic capabilities and LED Monitoring
- Informative advanced Display and Alarms keep you in control of your emergency lighting environment 24/7



3rd Rail Backup Inverter	Power Ratings	Cabinet Dimensions			Weight	British Thermal Unit	Voltage (VAC)		Output Protection	Safety Approvals
					(Combined)					
Model 3RB	KVA	W	H	D	(lbs)	BTU's	Bypass	Output	Input and output circuit breakers standard	NFPA 101 NFPA 70 NEC
	8	60"	72"	(35+3)"	1880	2500	Select 120, 240 277, 480	Select 120, 277, 480, 120/208Y, 208 or 277/480 VAC		
	16	60"	72"	(35+3)"	2700	5000	120/208Y, 208 or 277/480 VAC			
	24	60"	72"	(35+3)"	3600	7500				
	32	60"	72"	(35+3)"	4500	10000				

The Power Lynx 3 is always on-line eliminating noise, spikes, surges and brownouts. When the utility fails, the PLX3 will continue to provide AC voltage without the slightest interruption. The PLX3 generates an output sine wave that uses a high frequency PWM. The output Transformer isolates your critical load from any source of noise, so that your equipment is always protected. It's comprehensive monitoring checks each output, and input individually so you always know what is going on with your critical load. Alarm settings are field adjustable via the front panel. A microprocessor will store any alarm so a history is always available. You deserve the **peace of mind** that the Power Lynx from **DSPM** ensures.

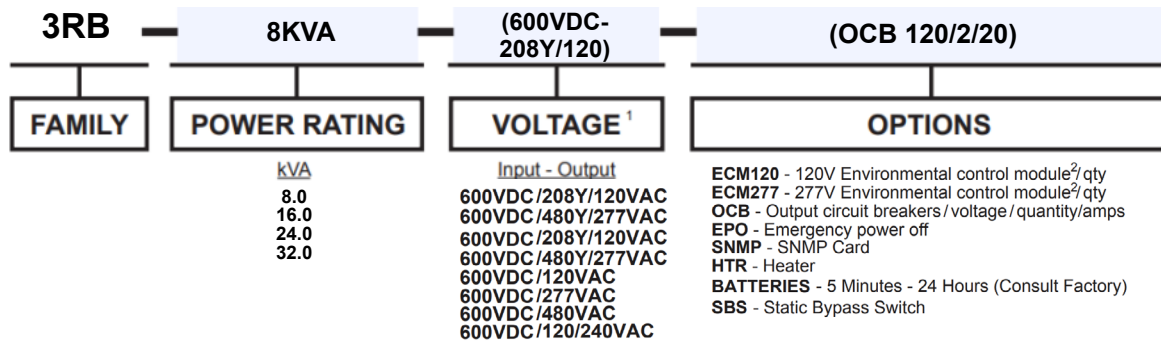
## ORDERING INFORMATION

Choose the bold face catalog nomenclature that best suites your needs.

Write them on the appropriate line. Order accessories as separate catalog number.

Description:

(3rd Rail, 8KVA, 600VDC/208/120Y, Output Circuit Breaker, 2 each, 20 Amp, 1 Pole)



## NOTES:

1-Consult factory for other voltage requirements.

May effect the weight, size and number of cabinets.

2-One ECM is used per switching device or circuit.

3-Consult factory for other run times.

Specifications subject to change without notice.