

# COBRA 3

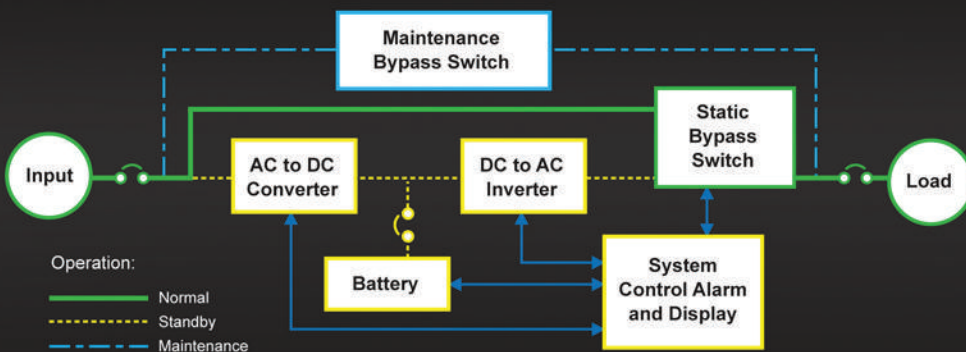
## STAND-BY EMERGENCY LIGHTING INVERTER

KEEP THE LIGHTS "ON" WHEN YOU NEED THEM THE MOST

### THREE PHASE 3 KW - 125 KW

Defends your environment against unwanted power outage and electrical disturbances by providing:

- DSPM Watchdog software always on guard.
- Display monitor keeps you in control 24/7.
- Dependable DSP/PWM technology for unsurpassed reliability.
- Economical for the lowest overall cost for your light safety with an Energy Star Rating.
- Temperature compensating technology that controls batteries for the longest battery life.
- Sealed maintenance-free batteries.
- Full light output for entire 90 minutes.
- Self-diagnostics for a safe and secure lighted environment.
- Pure sine wave output for all types of lamps.
- ECM module is a patented technology used by DSPM.
- Backup solutions for multiple applications such as: indoor and outdoor emergency lighting, exits, cash registers, computers, strategic electronics, and more!
- 10 Year pro-rated battery warranty.
- 5 Year power train warranty.
- Meets federal, state, and local codes: UL924, NFPA 101, NFPA 70, NEC, and OSHA.
- Cities of Chicago and New York approved.
- Complies with the Buy American Act.



**DSPM** INC.  
DIGITAL SIGNAL POWER MANUFACTURER  
www.dspmanufacturing.com

439 S. Stoddard Avenue  
San Bernardino, CA 92401  
1.877.DSPM POWER  
1.877.377.6769  
Fax: 909.930.3335



# COBRA 3

## STAND-BY EMERGENCY LIGHTING INVERTER

KEEP THE LIGHTS "ON" WHEN YOU NEED THEM THE MOST

### THREE PHASE 3 KW - 125 KW



- 3.0, 4.5, 6.0, 8.0, 10.0, 12.0, 16.0, 20.0.....Standard Power Levels \*
- 24.0, 30.0, 40.0, 50.0, 60.0, 80.0, 100.0, and 125.0 KW
- 208Y/120, 480Y/277, 208, or 480 VAC.....Input Voltage \*
- +10%, -15%.....Input Voltage Range \*
- 208Y/120 or 480Y/277 VAC.....Output Voltage \*
- ±3% for all loads and battery discharge.....Output Voltage Regulation \*
- 60Hz, ±1%.....Output Frequency Range \*
- Sine-wave <5% @ 100% linear load.....Output Wave Form \*
- 2.5:1 typical.....Crest Factor
- Input Main Circuit Breaker.....Input Protection
- Output Main Circuit Breaker.....Output Protection
- The unit will protect itself and the load.....Surge Protection
- against surges defined in
- ANSI/IEEE C62.45 category A and B
- Sealed maintenance-free (AGM) lead calcium.....Battery
- Conforms to UL924 standards.....Recharge Current
- Provision for hardware connection of.....External Battery
- external battery cabinets or DC source
- ≥92% at 100% linear load.....Efficiency
- <45dB measured on Response Curve "A".....Audible Noise
- UL924 and UL1778.....ETL Listed
- 0° to 40°C (32° to 104°F).....Operating Temperature
- 20° to 60°C (-4° to 140° F).....Storage Temperature
- 5 - 95%, Non-condensing.....Humidity

\*Consult factory for others.

Specifications subject to change without notice.

#### Options:

- ECM - Environmental Control Module
- NOF - Normally OFF Circuit
- NOH - Normally OFF "Hold On"
- OCB - Output Circuit Breaker(s)
- EPO - Emergency Power Off
- RSSP - Remote Indicator Panel
- SNMP - SNMP Card
- FC - Form C Contacts
- SRB - Seismic-Rated Bracket
- STU3 - Onsite Startup
- IDB - Internal Dimmer Bypass
- EMB - External Maintenance Bypass
- EW - Extended Warranty

| Cobra 3 Series                      | Power Rating | UPS Cabinet Dimensions |     |                 | Battery Cabinet Dimensions |     |     |       | Weight (combined) |
|-------------------------------------|--------------|------------------------|-----|-----------------|----------------------------|-----|-----|-------|-------------------|
|                                     |              | W                      | H   | D               | No.                        | W   | H   | D     |                   |
| CO3<br>(Consult factory for others) | KVA/KW       |                        |     |                 |                            |     |     |       | (lbs)             |
|                                     | 3            | 42"                    | 71" | 22.5"           | not required               |     |     |       | 980               |
|                                     | 4.5          | 42"                    | 71" | 22.5"           | not required               |     |     |       | 1100              |
|                                     | 6            | 42"                    | 71" | 22.5"           | not required               |     |     |       | 1350              |
|                                     | 8            | 42"                    | 71" | 22.5"           | 1                          | 42" | 71" | 22.5" | 1700              |
|                                     | 10           | 42"                    | 71" | 22.5"           | 1                          | 42" | 71" | 22.5" | 2250              |
|                                     | 12           | 42"                    | 71" | 22.5"           | 1                          | 42" | 71" | 22.5" | 2700              |
|                                     | 16           | 42"                    | 71" | 22.5"           | 1                          | 42" | 71" | 22.5" | 2950              |
|                                     | 20           | 42"                    | 71" | 22.5"           | 1                          | 42" | 71" | 22.5" | 3800              |
|                                     | 24           | 42"                    | 71" | 22.5"           | 2                          | 42" | 71" | 22.5" | 4350              |
|                                     | 30           | 42"                    | 71" | 22.5"           | 2                          | 42" | 71" | 22.5" | 5150              |
|                                     | 40           | 42"                    | 71" | 22.5"           | 3                          | 42" | 71" | 22.5" | 6790              |
|                                     | 50           | 42"                    | 71" | 22.5"           | 4                          | 42" | 71" | 22.5" | 8384              |
|                                     | 60           | 50"                    | 71" | 32"             | Consult Factory            |     |     |       |                   |
|                                     | 80           | 50"                    | 71" | 32"             | Consult Factory            |     |     |       |                   |
| 100                                 | 50"          | 71"                    | 32" | Consult Factory |                            |     |     |       |                   |
| 125                                 | 50"          | 71"                    | 32" | Consult Factory |                            |     |     |       |                   |



Represented By:

439 S. Stoddard Avenue  
 San Bernardino, CA 92401  
 1.877.DSPM POWER  
 1.877.377.6769  
 Fax: 909.930.3335