

# DEFENDER 1

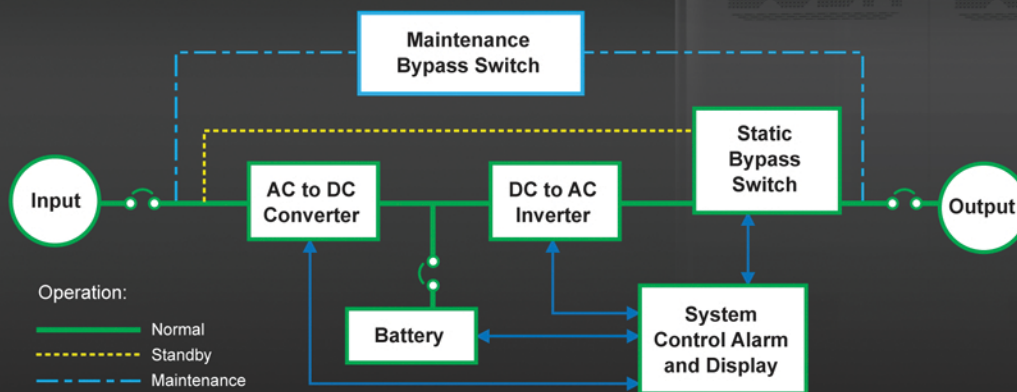
## ONLINE EMERGENCY LIGHTING INVERTER

KEEP THE LIGHTS "ON" WHEN YOU NEED THEM THE MOST

### SINGLE PHASE 4.7 KW - 21 KW

Defends your environment against unwanted power outage and electrical disturbances by providing:

- **DSPM Watchdog software always on guard.**
- **Display monitor keeps you in control 24/7.**
- **Dependable DSP/PWM technology for unsurpassed reliability.**
- **Economical for the lowest overall cost for your light safety with an Energy Star Rating.**
- **Temperature compensating technology that controls batteries for the longest battery life.**
- **Sealed maintenance-free batteries.**
- **Full light output for entire 90 minutes.**
- **Self-diagnostics for a safe and secure lighted environment.**
- **Pure sine wave output for all types of lamps.**
- **ECM module is a patented technology used by DSPM.**
- **Backup solutions for multiple applications such as: indoor and outdoor emergency lighting, exits, cash registers, computers, strategic electronics, and more!**
- **10 Year pro-rated battery warranty.**
- **5 Year power train warranty.**
- **Listed to UL924, UL1778, and UL508**
- **Cities of Chicago, Los Angeles and New York approved.**
- **Complies with the Buy American Act.**



**DSPM** INC.  
DIGITAL SIGNAL POWER MANUFACTURER  
www.dspmanufacturing.com

439 S. Stoddard Avenue  
San Bernardino, CA 92401  
1.877.DSPM POWER  
1.877.377.6769  
Fax: 909.930.3335



# DEFENDER 1

## ONLINE EMERGENCY LIGHTING INVERTER

KEEP THE LIGHTS "ON" WHEN YOU NEED THEM THE MOST

### SINGLE PHASE 4.7 KW - 21 KW

- 4.7, 5.25, 7.0, 8.0, 10.0, 12.0, 14.0, 18.0, and 21.0 KW.....Standard Power Levels
- 120, 208, 240, 277 or 480 VAC.....Input Voltage
- +10% -15%.....Input Voltage Range
- 120, 277, 480, 120/240 or 120/277 VAC.....Output Voltage
- ±2% for all loads and battery discharge mode.....Output Voltage Regulation
- 60 Hz, ±1%.....Output Frequency Range
- Sine-wave <5% @ 100% linear load.....Output Wave Form
- 2.5:1 typical.....Crest Factor
- Input Main Circuit Breaker.....Input Protection
- Output Main Circuit Breaker.....Output Protection
- The unit will protect itself and the load.....Surge Protection
- against surges as defined in
- ANSI/IEEE C62.45 Category A and B
- Sealed maintenance-free (AGM) lead calcium.....Battery
- Conforms to UL924 standards.....Recharge Current
- Provision for hardware connection of.....External Battery
- external battery cabinets or DC source
- ≥92% at 100% linear load.....Efficiency
- <45dB measured on Response Curve "A".....Audible Noise
- UL924 and UL1778.....ETL Listed
- 0° to 40°C (32° to 104°F).....Operating Temperature
- 20° to 60°C (-4° to 140°F).....Storage Temperature
- 5 - 95%, Non-condensing.....Humidity



#### Options:

- ECM - Environmental Control Module
- NOF - Normally OFF Circuit
- NOH - Normally OFF "Hold On"
- OCB - Output Circuit Breker(s)
- EPO - Emergency Power Off
- RSSP - Remote Indicatoor Panel
- SNMP - SNMP Card
- FC - Form C Contacts
- SRB - Seismic-Rated Bracket
- STU1 - Onsite Startup
- IDB - Internal Dimmer Bypass
- EMB - External Maintenance Bypass
- EW - Extended Warranty

Defender 1 Series	Power Rating	UPS			Battery			Weight (com- bined)
		Cabinet Dimensions			Cabinet Dimensions			
	KVA/KW	W	H	D	W	H	D	(lbs)
DE1  (Consult factory for others)	4.7*	42"	71"	22.5"	not required			1200
	5.25*	42"	71"	22.5"	not required			1200
	7.0*	42"	71"	22.5"	not required			1450
	8.0*	42"	71"	22.5"	not required			1450
	10.0*	42"	71"	22.5"	not required			1820
	12.0*	42"	71"	22.5"	not required			2210
	14.0*	42"	71"	22.5"	not required			2550
	18.0	42"	71"	22.5"	42"	71"	22.5"	3750
	21.0	42"	71"	22.5"	42"	71"	22.5"	4375

NOTE: (\*) Represents optional smaller cabinet for 4.7 to 14KW with the dimensions 42"W 48"H 36"D. Please contact us for more information.

**DSPM** INC.  
DIGITAL SIGNAL POWER MANUFACTURER  
www.dspmanufacturing.com

Represented By:

439 S. Stoddard Avenue  
San Bernardino, CA 92401  
1.877.DSPM POWER  
1.877.377.6769  
Fax: 909.930.3335