

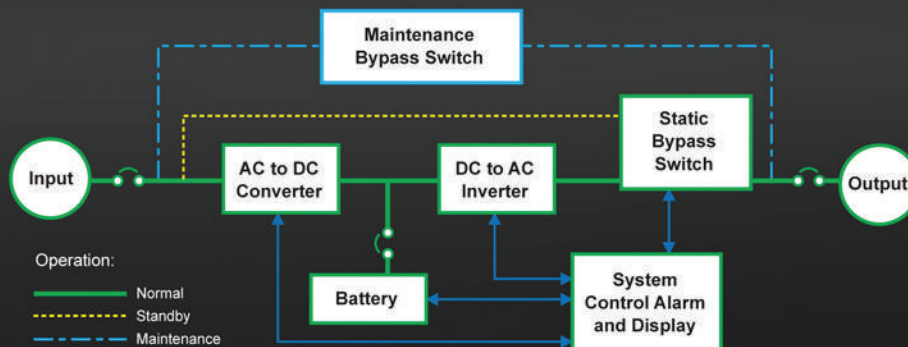
FORTRESS 3

ONLINE OUTDOOR EMERGENCY LIGHTING INVERTER

KEEP THE LIGHTS "ON" WHEN YOU NEED THEM THE MOST
THREE PHASE 3 KW - 125 KW

Defends your environment against unwanted power outage and electrical disturbances by providing:

- DSPM Watchdog software always on guard.
- Display monitor keeps you in control 24/7.
- Dependable DSP/PWM technology for unsurpassed reliability.
- Economical for the lowest overall cost for your light safety with an Energy Star Rating.
- Temperature compensating technology that controls batteries for the longest battery life.
- Sealed maintenance-free batteries.
- Full light output for entire 90 minutes.
- Self-diagnostics for a safe and secure lighted environment.
- Pure sine wave output for all types of lamps.
- ECM module is a patented technology used by DSPM.
- Backup solutions for multiple applications such as: indoor and outdoor emergency lighting, exits, cash registers, computers, strategic electronics, and more!
- 10 Year pro-rated battery warranty.
- 5 Year power train warranty.
- Listed to UL924, UL1778, and UL508.
- Cities of Chicago and New York approved.
- Complies with the Buy American Act.



DSPM INC.
DIGITAL SIGNAL POWER MANUFACTURER
www.dspmanufacturing.com

439 S. Stoddard Avenue
San Bernardino, CA 92401
1.877.DSPM POWER
1.877.377.6769
Fax: 909.930.3335



FORTRESS 3

ONLINE OUTDOOR EMERGENCY LIGHTING INVERTER

KEEP THE LIGHTS "ON" WHEN YOU NEED THEM THE MOST

THREE PHASE 3 KW - 125 KW



- 3.0, 4.5, 6.0, 8.0, 10.0, 12.0, 16.0, 20.0, 24.0, 30.0, 40.0, 50.0, 60.0, 80.0,.....Standard Power Levels *
- 100.0, and 125.0KW
- 120, 208, 240, 277 or 480 VAC.....Input Voltage *
- +10% -15%.....Input Voltage Range *
- 120, 277, 480, 120/240 or 120/277 VAC.....Output Voltage *
- ±3% for all loads and battery discharge mode.....Output Voltage Regulation *
- 60 Hz, ±1%.....Output Frequency Range *
- Sine-wave <5% @ 100% linear load.....Output Wave Form *
- 2.5:1 typical.....Crest Factor *
- Input Main Circuit Breaker.....Input Protection *
- Output Main Circuit Breaker.....Output Protection *
- The unit will protect itself and the load.....Surge Protection *
- against surges as defined in
- ANSI/IEEE C62.45 Category A and B
- Sealed maintenance-free (AGM) lead calcium.....Battery *
- Conforms to UL924 standards.....Recharge Current *
- Provision for hardware connection of.....External Battery *
- external battery cabinets or DC source
- ≥92% at 100% linear road.....Efficiency *
- <45dB measured on Response Curve "A"Audible Noise ***
- UL924 and UL1778.....ETL Listed *
- 20° to 50°C (-4° to 122°F).....Operating Temperature *
- 20° to 60°C (-4° to 140°F).....Storage Temperature *
- 5 - 100%, Non-condensing.....Humidity *
- NEMA 3R.....Cabinet *

* Consult factory for others.
 *** Safety agency evaluated for indoor operation.

Specifications subject to change without notice.

Options:

- ECM - Environmental Control Module
- NOF - Normally OFF Circuit
- NOH - Normally OFF "Hold On"
- OCB - Output Circuit Breker(s)
- EPO - Emergency Power Off
- RSSP - Remote Indicator Panel
- SNMP - SNMP Card
- FC - Form C Contacts
- STU1 - Onsite Startup
- IDB - Internal Dimmer Bypass
- EMB - External Maintenance Bypass
- HE - Heat Exchanger
- HTR - Heater
- EW - Extended Warranty

Fortress Outdoor 3	Power Rating	UPS Cabinet Dimensions			Battery Cabinet Dimensions			Weight (combined)	
		W	H	D	No.	W	H		D
FT3 (Consult factory for other capabilities)	KVA/KW								
	3	41"	52"	36"	not required			1480	
	4.5	41"	52"	36"	not required			1600	
	6	41"	52"	36"	not required			1850	
	8	41"	52"	36"	not required			2200	
	10	41"	52"	36"	not required			2750	
	12	41"	52"	36"	1	41"	52"	36"	3200
	16	41"	52"	36"	1	41"	52"	36"	3450
	20	41"	52"	36"	1	41"	52"	36"	4300
	24	41"	52"	36"	2	41"	52"	36"	5050
	30	41"	52"	36"	2	41"	52"	36"	5900
	40	41"	52"	36"	3	41"	52"	36"	6750
	60	Consult Factory							
	80	Consult Factory							
100	Consult Factory								
125	Consult Factory								

Please see data sheet (cut sheet) for weight and dimensions for all power ratings.



Represented by:

439 S. Stoddard Avenue
 San Bernardino, CA 92401
 1.877.DSPM POWER
 1.877.377.6769
 Fax: 909.930.3335