

# FORTRESS 3 HARSH

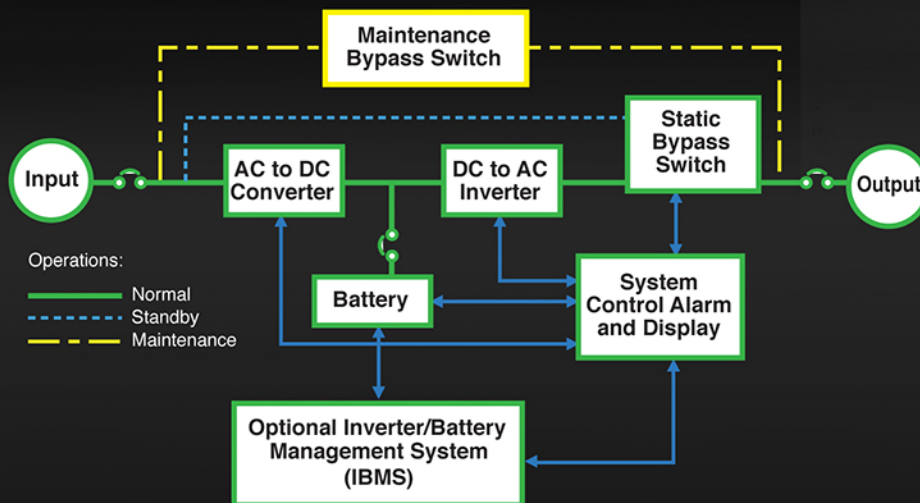
## ONLINE OUTDOOR EMERGENCY LIGHTING INVERTER

KEEP THE LIGHTS "ON" WHEN YOU NEED THEM THE MOST

### THREE PHASE 3 KW - 30 KW

Defends your environment against unwanted power outage and electrical disturbances by providing:

- DSPM Watchdog software always on guard.
- Display monitor keeps you in control 24/7.
- Dependable DSP/PWM technology for unsurpassed reliability.
- Economical for the lowest overall cost for your light safety with an Energy Star Rating.
- Temperature compensating technology that controls batteries for the longest battery life.
- Sealed maintenance-free batteries.
- Full light output for entire 90 minutes.
- Self-diagnostics for a safe and secure lighted environment.
- Pure sine wave output for all types of lamps.
- ECM module is a patented technology used by DSPM.
- Backup solutions for multiple applications such as: indoor and outdoor emergency lighting, exits, cash registers, computers, strategic electronics, and more!
- 10 Year pro-rated battery warranty.
- 5 Year power train warranty.
- Listed to UL924, UL1778, and UL 508
- Cities of Chicago and New York approved.
- Complies with the Buy American Act.



439 S. Stoddard Avenue  
San Bernardino, CA 92401  
1.877.DSPM POWER  
1.877.377.6769  
Fax: 909.930.3335



# FORTRESS 3 HARSH

## ONLINE OUTDOOR EMERGENCY LIGHTING INVERTER

KEEP THE LIGHTS ON WHEN YOU NEED THEM THE MOST

### THREE PHASE 3 KW - 30 KW



- 3.0, 4.5, 6.0, 8.0, 10.0, 12.0, 16.0, 20.0, 24.0, and 30.0 KW,.....Standard Power Levels\*
- 120, 208, 240, 277 or 480 VAC.....Input Voltage
- +10% -15%.....Input Voltage Range\*
- 120, 277, 480, 120/240 or 120/277 VAC.....Output Voltage
- ±3% for all loads and battery discharge mode.....Output Voltage Regulation
- 60 Hz, ±1%.....Output Frequency Range
- Sine-wave <5% @ 100% linear load.....Output Wave Form
- 2.5:1 typical.....Crest Factor
- Input Main Circuit Breaker.....Input Protection
- Output Main Circuit Breaker.....Output Protection
- The unit will protect itself and the load.....Surge Protection against surges as defined in ANSI/IEEE C62.45 Category A and B
- Sealed maintenance-free (AGM) lead calcium.....Battery
- Conforms to UL924 standards.....Recharge Current
- Provision for hardware connection of.....External Battery external battery cabinets or DC source
- ≥92% at 100% linear load.....Efficiency
- <45dB measured on Response Curve "A".....Audible Noise
- UL924 and UL1778.....ETL Listed\*
- 20° to 50°C (-4° to 122°F).....Operating Temperature
- 20° to 60°C (-4° to 140°F).....Storage Temperature
- 5 - 100%, Non-condensing.....Humidity
- NEMA 4X.....Cabinet

\* Consult factory for others.

\*\* Safety agency evaluated for indoor operation.

Specifications subject to change without notice.

#### Options:

- ECM - Environmental Control Module
- NOF - Normally OFF Circuit
- NOH - Normally OFF "Hold On"
- OCB - Output Circuit Breker(s)
- EPO - Emergency Power Off
- RSSP - Remote Indicator Panel
- SNMP - SNMP Card
- FC - Form C Contacts
- STU1 - Onsite Startup
- IDB - Internal Dimmer Bypass
- EMB - External Maintenance Bypass
- HE - Heat Exchanger
- HTR - Heater
- EW - Extended Warranty
- IBMS - Inverter/Battery Monitoring System

Fortress Harsh 3	Power Rating	UPS			Battery			Weight (combined)
		Cabinet Dimensions			Cabinet Dimensions			
FTH3 (Consult factory for other capabilities)	KVA/KW	W	H	D	W	H	D	(lbs)
	3	41"	52"	36"	not required			1730
	4.5	41"	52"	36"	not required			1850
	6	41"	52"	36"	not required			2100
	8	41"	52"	36"	not required			2450
	10	41"	52"	36"	not required			3000
	12	41"	52"	36"	41"	52"	36"	3450
	16	41"	52"	36"	41"	52"	36"	3700
	20	41"	52"	36"	41"	52"	36"	4550
	24	Consult Factory						
	30	Consult Factory						

Represented by:



439 S. Stoddard Avenue  
San Bernardino, CA 92401  
1.877.DSPM POWER  
1.877.377.6769  
Fax: 909.930.3335