

LYNX POWER 3

EMERGENCY ELEVATOR INVERTER

KEEP THE ELEVATORS "ON" WHEN YOU NEED THEM THE MOST

THREE PHASE 5 KVA - 80 KVA

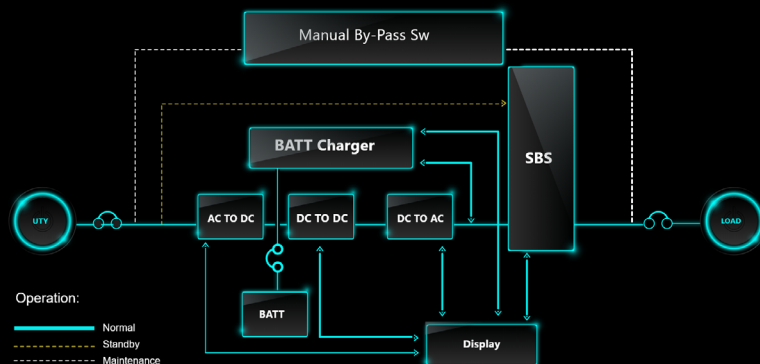


Extreme power factor rated. Made to handle elevators starting and stopping when batteries are the only source of power. The LP3 is designed to absorb elevator regeneration energy when operating on battery power during a utility outage without adding other equipment. Under normal operation, when the utility power is available, the regeneration energy is absorbed in the normal building loads.





- DSPM Watchdog software always on guard.
- Display monitor keeps you in control 24/7.
- Dependable DSP/PWM technology for unsurpassed reliability.
- Economical for the lowest overall cost for your light safety.
- Temperature compensating technology that controls batteries for the longest battery life.
- Sealed maintenance-free batteries.
- Full elevator operations.
- Self-diagnostics for a safe and secure lighted environment.
- Pure sine wave output for all types of lamps and motors.
- ECM module is a reliable technological device utilized by DSPM.
- 10 Year pro-rated battery warranty.
- 5 Year power train warranty.
- Meets federal, state, and local codes: (UL924, UL1778, NFPA 101, NFPA70, NEC, and OSHA).



Standard Power Levels 5, 10, 15, 20, 30,50 and 80 kVA

Input Voltage 208, 240, or 480 VAC

Output Voltage 208, 240, or 480 VAC

Input Voltage Range +10%. -15%

Output Voltage Regulation $\pm 3\%$ for all loads and battery

discharge

Output Frequency Range 60 Hz, $\pm 1\%$

Output Wave Form Sine-wave <5% @ 100% linear load

Crest Factor 2.5:1 typical

Input Protection Input Main Circuit Breaker

Output Protection Output Main Circuit Breaker

Surge Protection The unit will protect itself and the load against surges as defined in ANSI/IEEE C62.45 category A and B

Battery Sealed maintenance-free (AGM) lead calcium

Recharge Current Conforms to UL924 standards

Efficiency $\geq 92\%$ at 100% linear load

Audible Noise <45dB measured on Response Curve "A"

ETL Listed UL924 and UL1778

Operating Temperature 0° to 40°C (32° to 104°F)

Storage Temperature -20° to 60°C (-4° to 140°F)

Humidity 5 - 95%, Non-condensing

