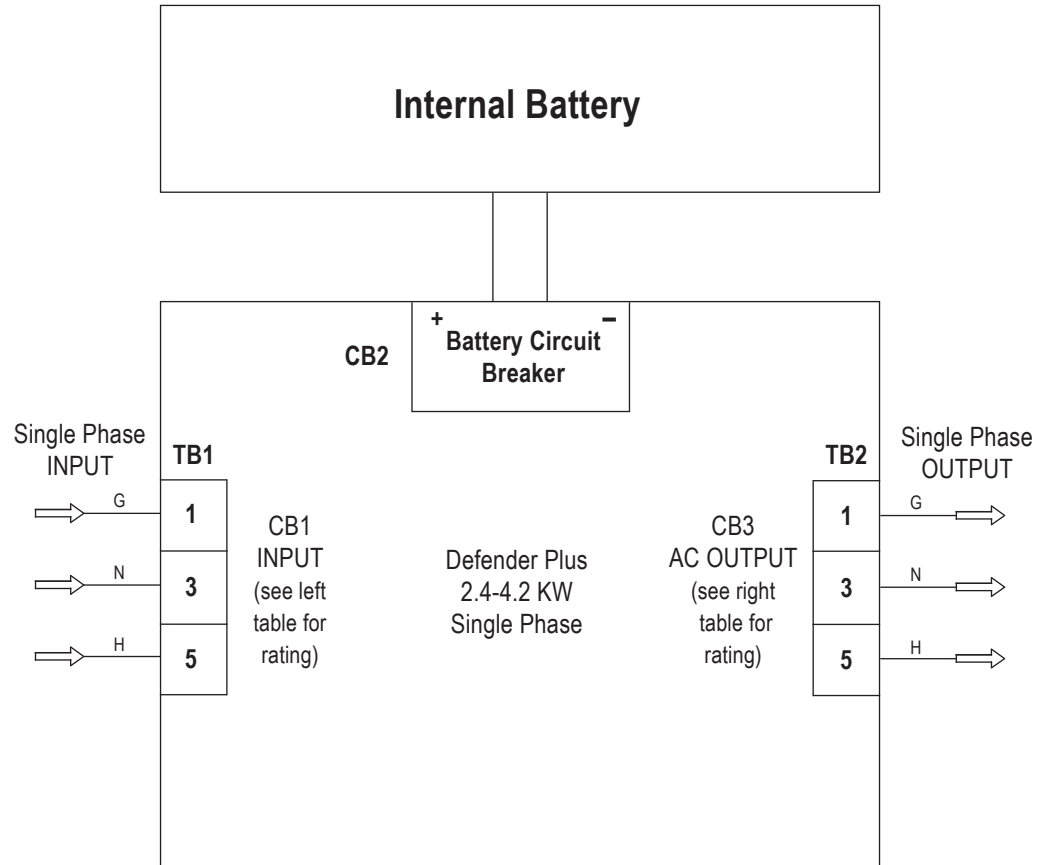


KW	Input Voltage	Utility Feed Amps
2.4	120	30
	208	17.3
	240	15
	277	13
	480	7.5
2.6	120	32.5
	208	18.8
	240	16.3
	277	14.1
	480	8.1
3.0	120	37.5
	208	21.6
	240	18.8
	277	16.2
	480	9.4
3.4	120	42.5
	208	24.5
	240	21.3
	277	18.4
	480	10.6
3.8	120	47.5
	208	27.4
	240	23.4
	277	20.6
	480	11.9
4.2	120	52.5
	208	30.3
	240	26.3
	277	22.7
	480	13.1



KW	Output Voltage	Max Output Amps
2.4	120	20
	277	8.7
	480	5
	120/240	10
	120/277	20/8.7
2.6	120	21.7
	277	9.4
	480	5.4
	120/240	10.8
	120/277	21.7/9.4
3.0	120	25
	277	10.8
	480	6.3
	120/240	12.5
	120/277	25/10.8
3.4	120	28.4
	277	12.3
	480	7.1
	120/240	14.2
	120/277	28.4/12.3
3.8	120	31.7
	277	13.7
	480	7.9
	120/240	15.9
	120/277	31.7/13.7
4.2	120	35
	277	15.2
	480	8.8
	120/240	17.5
	120/277	35/15.2