

# POWER LYNX 1



## UNINTERRUPTIBLE POWER SYSTEM

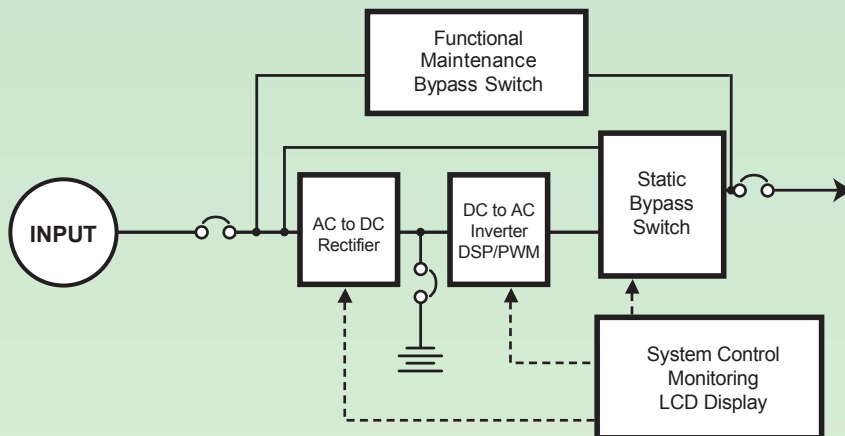
Providing power without interruption.

Single Phase 1 kVA - 18 kVA

Made In The USA 

*Defends your environment against unwanted electrical disturbances by providing:*

- DSPM Watchdog software always on guard.
- Display monitor keeps you in control 24/7.
- Dependable DSP/PWM technology for unsurpassed reliability.
- Economical for the lowest overall cost with an Energy Star Rating.
- High efficiency of >92%, with reliability of 200,000 hours.
- Temperature compensating technology that controls batteries for the longest battery life.
- Non-linear load capability.
- Provides continuous AC voltage without interruption.
- Microprocessor that stores any alarm so a history is always available.
- Sealed maintenance free batteries.
- 10 Year pro-rated battery warranty.
- 5 Year power train warranty.
- Meets federal, state and local code, UL1778.
- Complies with the Buy American Act.



 **DSPM** INC.  
DIGITAL SIGNAL POWER MANUFACTURER  
www.DSPManufacturing.com

Email: sales@DSPManufacturing.com  
439 S. Stoddard Avenue  
San Bernardino, CA 92401  
Ph: 1.877.DSPM POWER  
1.877.377.6769  
Fax: 909.930.3335

# POWER LYNX 1



- \*Standard Power Levels.....1, 2, 3, 5, 7.5, 10, 12.5, 15 or 18 kVA
- \*Input Voltage .....120, 208, 240, 277 or 480 VAC
- \*Input Voltage Range.....+10%, -15%
- \*Output Voltage.....120, 208, 240, 277, 480 or 120/240 VAC
- \*Output Voltage Regulation.....±4% typical
- \*Output Frequency Range.....60 Hz, ±5%
- Output Wave Form.....Sine-wave <5% @ 100% linear load
- Crest Factor.....2.5:1 typical
- Input Protection.....Input Main Circuit Breaker
- Output Protection.....Output Main Circuit Breaker
- Surge Protection.....The unit will protect itself and the load against surges as defined in ANSI/IEEE C62.45 category A and B
- Battery.....Sealed maintenance-free (AGM) lead calcium
- Recharge Current.....10x discharge
- External Battery.....Provision for hardware connection of external battery cabinets or DC source
- Efficiency.....≥92%
- Audible Noise.....<45dB measured on Response Curve "A"
- ETL Listed.....To UL standard 1778
- Operating Temperature.....0° to 50°C (32° to 122°F)
- Storage Temperature.....-20° to 60°C (-4° to 140°F)
- Humidity.....5 - 95%, Non-condensing
- Cabinet.....NEMA 3R



\*Consult factory for others.

Specifications subject to change without notice.

Power Lynx Series	Power Rating	Total Watts	UPS Cabinet Dimensions			Weight (lbs)
			W	H	D	
PLO1 (Consult factory for others)	kVA	KW	W	H	D	(lbs)
	1	0.8	41"	54"	35"	
	2	1.6	41"	54"	35"	
	3	2.4	41"	54"	35"	925
	5	4	41"	54"	35"	970
	7.5	6	41"	54"	35"	1170
	10	8	41"	54"	35"	1270
	12.5	10	41"	54"	35"	1320
	15	12	41"	54"	35"	1395
18	14.4	41"	54"	35"	1595	

**Options:**

- RSSP - Remote Indicator Panel
- SNMP - SNMP Card
- FC - Form C Contacts
- OCB - Output Circuit Breaker(s)
- SRB - Seismic-Rated Bracket
- EMB - External Maintenance Bypass
- EW - Extended Warranty
- HEC - NEMA 4, 4X



Email: sales@DSPManufacturing.com  
 439 S. Stoddard Avenue  
 San Bernardino, CA 92401  
 Ph: 1.877.DSPM POWER  
 1.877.377.6769  
 Fax: 909.930.3335

Represented by: