

POWER LYNX 3



UNINTERRUPTIBLE POWER SYSTEM

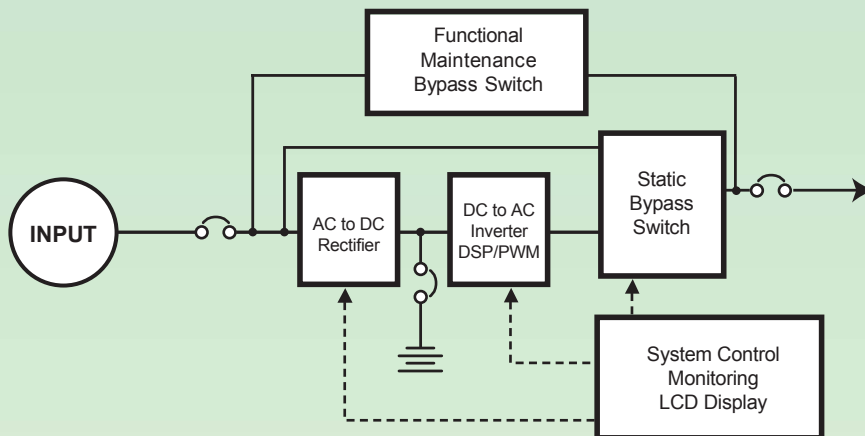
Providing power without interruption.

Three Phase 3 kVA - 125 kVA

Made In The USA 

Defends your environment against unwanted electrical disturbances by providing:

- DSPM Watchdog software always on guard.
- Display monitor keeps you in control 24/7.
- Dependable DSP/PWM technology for unsurpassed reliability.
- Economical for the lowest overall cost with an Energy Star Rating.
- High efficiency of >92%, with reliability of 200,000 hours.
- Temperature compensating technology that controls batteries for the longest battery life.
- A proven non-linear load capability.
- Provides continuous AC voltage without interruption.
- Microprocessor that stores any alarm so a history is always available.
- Sealed maintenance free batteries.
- 10 Year pro-rated battery warranty.
- 5 Year power train warranty.
- Meets federal, state and local code, UL1778.
- Complies with the Buy American Act.



 **DSPM** INC.
DIGITAL SIGNAL POWER MANUFACTURER
www.DSPManufacturing.com

Email: sales@DSPManufacturing.com
439 S. Stoddard Avenue
San Bernardino, CA 92401
Ph: 1.877.DSPM POWER
1.877.377.6769
Fax: 909.930.3335

POWER LYNX 3



- *Standard Power Levels.....3, 4.5, 7, 10, 15, 30, 50, 75, 100 and 125 kVA
- *Input Voltage208Y/120, 480Y/277, 208 or 480 VAC
- *Input Voltage Range.....+10% - 15%
- *Output Voltage.....208Y/120 or 480Y/277 VAC
- *Output Voltage Regulation.....±4% typical
- *Output Frequency Range.....60 Hz, ±5%
- Output Wave Form.....Sine-wave <5% @ 100% linear load
- Crest Factor.....2.5:1 typical
- Input Protection.....Input Main Circuit Breaker
- Output Protection.....Output Main Circuit Breaker
- Surge Protection.....The unit will protect itself and the load against surges as defined in ANSI/IEEE C62.45 category A and B
- Battery.....Sealed maintenance-free (AGM) lead calcium
- Recharge Current.....10x discharge
- External Battery.....Provision for hardware connection of external battery cabinets or DC source
- Efficiency.....≥92%
- Audible Noise.....<45dB measured on Response Curve "A"
- ETL Listed.....To UL standard 1778
- Operating Temperature.....0° to 50°C (32° to 122°F)
- Storage Temperature.....-20° to 60°C (-4° to 140°F)
- Humidity.....5 - 95%, Non-condensing
- Cabinet.....NEMA 3R

*Consult factory for others.

30kVA and above pending ETL investigation

Specifications subject to change without notice.



Power Lynx Series	Power Rating	Total Watts	UPS			Battery			Weight (combined)
			Cabinet Dimensions			Cabinet Dimensions			
	kVA	KW	W	H	D	W	H	D	(lbs)
PLO3 (Consult factory for others)	3	2.1	41"	72"	35"	not required			
	4.5	3.6	41"	72"	35"	not required			
	7	4.8	41"	72"	35"	not required			
	10	8	41"	72"	35"	not required			
	15	12	41"	72"	35"	not required			1950
	30	24	41"	72"	35"	not required			2400
	50	40	41"	72"	35"	41"	54"	35"	3380
	75	60	41"	72"	35"	41"	54"	35"	3600
	100	80	41"	72"	35"	41"	54"	35"	4100
	125	100	41"	72"	35"	41"	54"	35"	4500

Options:

- RSSP - Remote Indicator Panel
- SNMP - SNMP Card
- FC - Form C Contacts
- OCB - Output Circuit Breaker(s)
- SRB - Seismic-Rated Bracket
- EMB - External Maintenance Bypass
- HE - Heat Exchanger
- HTR - Heater
- EW - Extended Warranty
- HEC - NEMA 4, 4X



Email: sales@DSPManufacturing.com
 439 S. Stoddard Avenue
 San Bernardino, CA 92401
 Ph: 1.877.DSPM POWER
 1.877.377.6769
 Fax: 909.930.3335

Represented by: